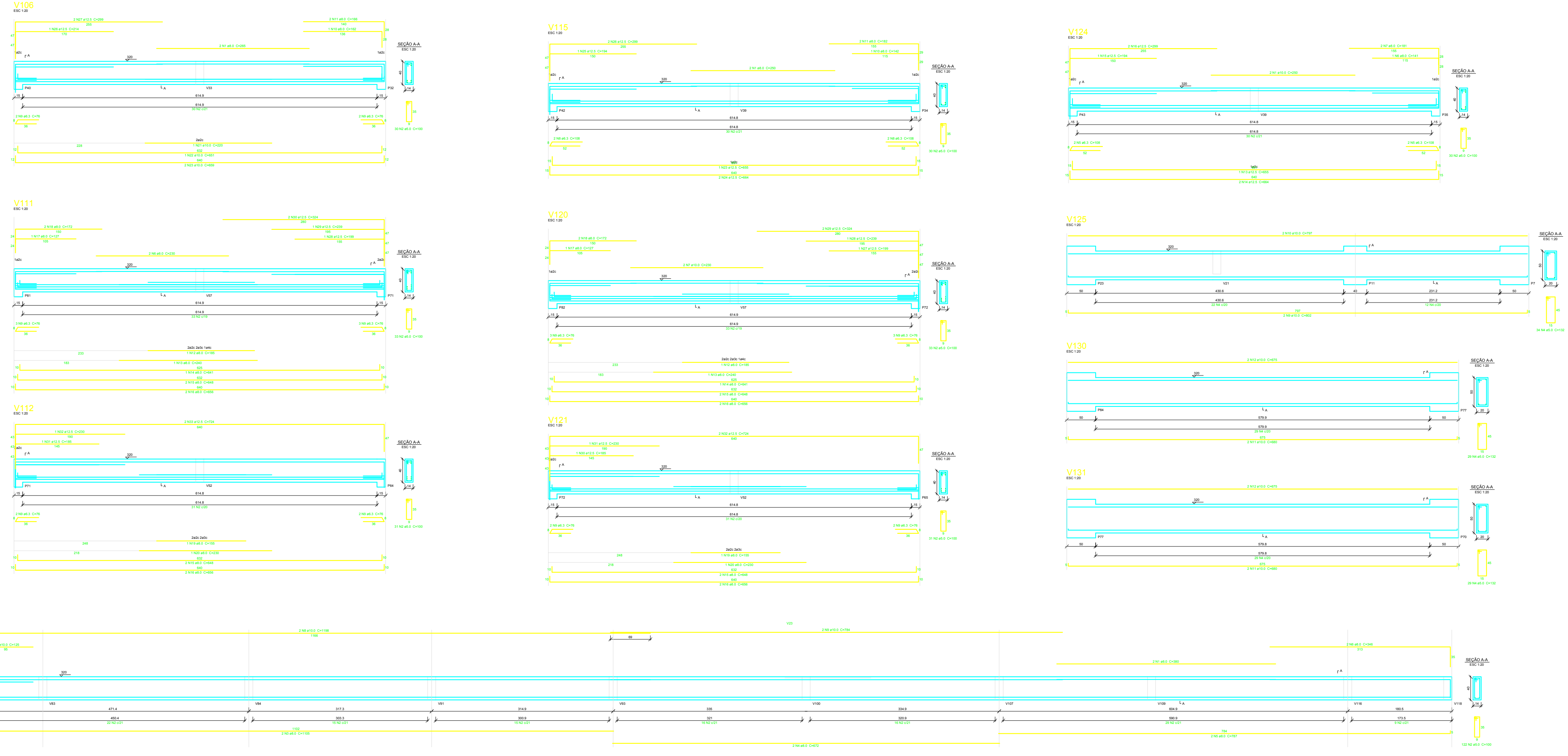


**DETALHES VIGAS: NÍVEL +320**  
 TERREO ESCALA 1/50



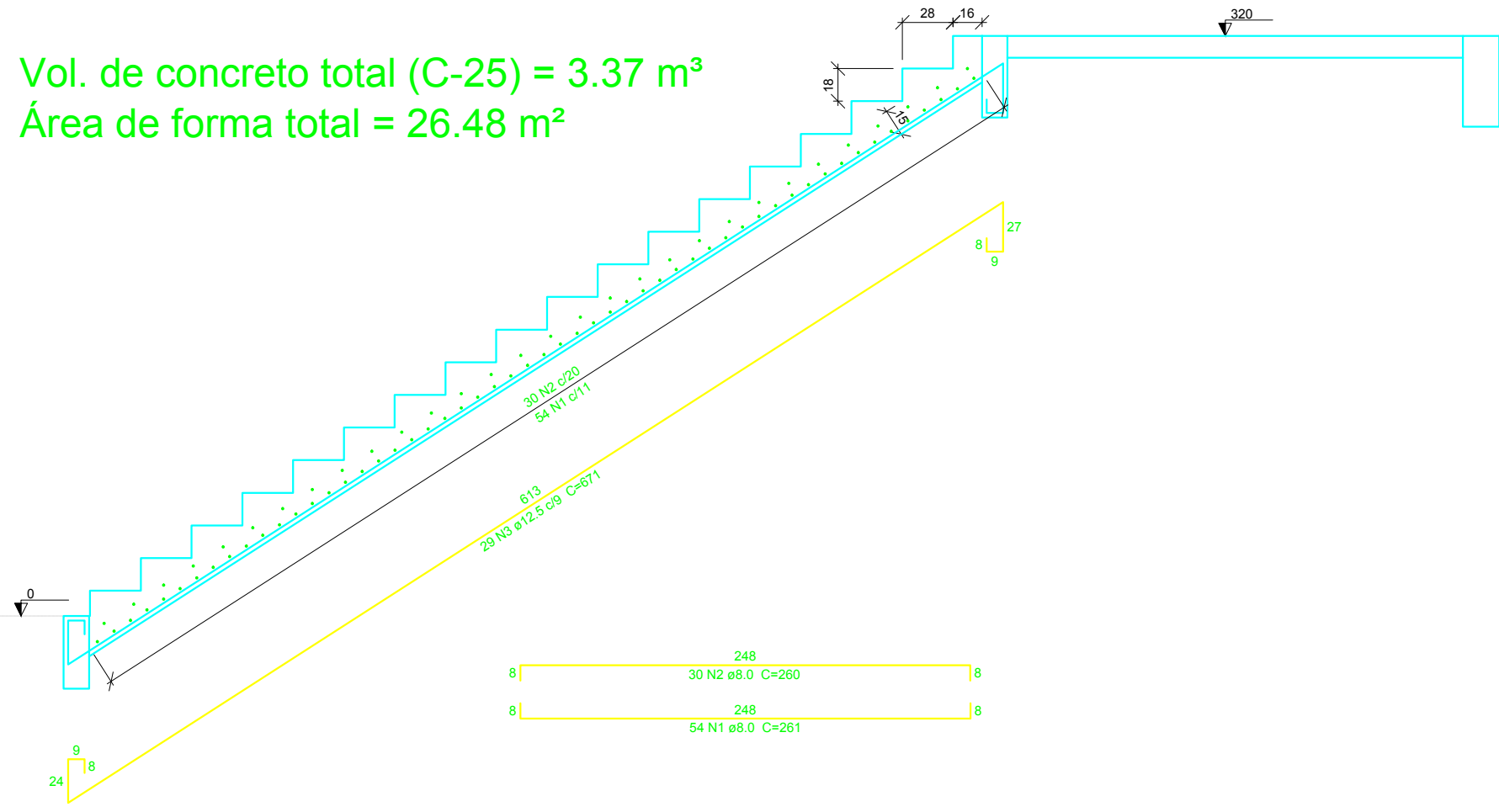
**TABELA DE DADOS FUNDAÇÃO**

Nome	Seção (cm)	X (cm)	Y (cm)	Carga Máx. (kN)	Carga Min. (kN)	Lado B (cm)	Lado H (cm)	H0 (cm)	H1 (cm)	H2 (cm)	df (cm)
P1	30x50	-3360.00	-220.00	11.8	7.3	160	160	20	40	150	
P2	30x50	-2854.10	-15.00	14.2	9.9	150	170	20	40	150	
P3	30x50	-2419.90	-15.00	20.4	14.8	150	170	20	40	150	
P4	30x50	-1758.20	-15.00	23.4	17.2	170	190	20	60	150	
P5	30x50	-1084.40	-15.00	16.2	12.5	165	185	20	40	150	
P6	30x50	-424.50	-15.00	13.2	10.4	150	170	20	40	150	
P7	30x50	-5.00	-20.00	12.4	7.6	165	185	20	40	150	
P8	30x50	-3260.00	-300.15	16.2	10.8	175	190	20	60	150	
P9	15x40	-2849.10	-338.80	24.6	17.0	155	175	20	40	150	
P10	15x40	-291.30	-301.20	12.6	8.6	165	180	20	30	150	
P11	15x40	-20.00	-301.20	12.6	8.6	130	150	20	40	150	
P12	15x40	292.95	-301.20	3.8	2.4	60	85	25	25	150	
P13	15x40	-802.30	-416.10	8.7	5.9	90	115	25	20	150	
P14	15x40	-2271.70	-526.10	10.2	11.1	120	145	20	40	150	
P15	15x40	-2054.40	-526.10	10.7	7.8	100	125	20	30	150	
P16	15x40	-1736.50	-526.10	13.0	9.2	105	130	20	30	150	
P17	15x40	-1424.60	-526.10	12.3	9.0	105	130	20	30	150	
P18	15x40	-1098.70	-526.10	10.8	7.6	100	120	20	30	150	
P19	15x40	-464.80	-526.10	10.0	7.2	100	125	20	30	150	
P20	15x40	-291.30	-526.10	2.3	0.8	80	85	25	25	150	
P21	15x40	-45.00	-710.75	12.1	8.6	130	150	20	40	150	
P22	15x40	292.95	-781.75	4.2	2.7	60	85	25	25	150	
P23	30x50	510.65	-786.75	5.9	5.1	0	0	0	0	150	
P24	30x50	915.00	-782.25	7.5	6.1	0	0	0	0	150	
P25	30x50	1538.40	-781.75	6.4	5.8	130	150	20	30	150	
P26	30x50	-3360.00	-968.50	18.6	14.5	175	195	20	50	150	
P27	15x40	-2849.10	-968.50	22.8	16.8	145	170	20	40	150	
P28	15x40	-2145.60	-1109.10	5.4	3.6	70	95	25	25	150	
P29	15x40	-1613.30	-1109.10	10.2	6.6	100	125	20	30	150	
P30	15x40	-110.95	-1109.10	5.4	3.5	70	95	25	25	150	
P31	30x50	1548.40	-1109.10	7.0	6.0	0	0	0	0	150	
P32	15x40	-671.05	-1429.44	5.7	3.6	70	95	25	25	150	
P33	15x40	-181.20	-1429.44	5.8	3.7	70	95	25	25	150	
P34	30x50	-3360.00	-1598.20	13.5	11.2	160	180	20	40	150	
P35	15x40	-2849.10	-1598.20	9.8	7.2	90	110	20	25	150	
P36	15x40	-2115.60	-1739.00	10.3	6.7	100	125	20	30	150	
P37	15x40	-1613.30	-1739.00	20.7	12.6	135	160	20	40	150	
P38	15x40	-110.95	-1739.00	10.3	8.7	100	125	20	30	150	
P39	30x50	1548.40	-1739.00	6.0	7.1	0	0	0	0	150	
P40	15x40	-671.05	-2059.20	8.9	5.9	100	125	20	30	150	
P41	15x40	-181.20	-2059.20	9.6	6.8	90	115	20	25	150	
P42	30x50	-3360.00	-2342.80	6.9	5.5	155	175	20	45	150	
P43	30x50	-2854.10	-2342.80	6.7	5.8	175	195	20	50	150	
P44	30x50	-2420.60	-2342.80	11.0	8.4	175	195	20	50	150	
P45	30x50	-1813.30	-2342.80	15.7	11.2	165	185	20	45	150	
P46	30x50	-1109.90	-2342.80	10.2	7.8	175	195	20	50	150	
P47	30x50	-476.05	-2342.80	7.0	5.6	165	185	20	45	150	
P48	30x50	179.20	-2342.80	8.3	6.2	160	180	20	40	150	
P49	30x50	602.50	-2342.80	6.6	5.6	180	200	20	50	150	
P50	30x50	1034.85	-2342.80	5.8	4.8	180	200	20	50	150	
P51	30x50	1548.40	-2342.80	8.7	6.3	160	180	20	40	150	
P52	30x50	-3360.00	-2394.80	7.2	5.6	150	170	20	40	150	
P53	30x50	-2864.10	-2394.80	6.7	5.7	175	195	20	50	150	
P54	30x50	-2420.60	-2394.80	11.2	8.6	175	195	20	50	150	
P55	30x50	-1813.30	-2394.80	15.9	11.4	165	180	20	45	150	
P56	30x50	-1109.90	-2394.80	10.4	8.0	150	170	20	40	150	
P57	30x50	-476.05	-2394.80	8.0	5.8	175	195	20	50	150	
P58	30x50	179.20	-2394.80	9.2	7.0	165	185	20	45	150	
P59	30x50	602.50	-2394.80	6.6	5.6	180	210	20	50	150	
P60	30x50	1034.85	-2394.80	5.8	4.8	180	210	20	50	150	
P61	30x50	1548.40	-2394.80	8.7	6.3	160	180	20	40	150	
P62	15x40	-671.05	-2699.10	6.5	4.8	85	110	25	25	150	
P63	15x40	-181.20	-2699.10	8.4	4.7	85	110	25	25	150	
P64	30x50	-3360.00	-2998.60	7.9	7.0	0	0	0	0	150	
P65	30x50	-2854.10	-2998.60	11.4	8.4	100	120	20	30	150	
P66	30x50	-2419.90	-2998.60	15.9	11.4	100	120	20	30	150	
P67	30x50	-1813.30	-2998.60	20.0	12.4	135	160	20	40	150	
P68	30x50	-110.95	-2998.60	9.9	6.4	100	125	20	30	150	
P69	30x50	1548.40	-2998.60	7.9	7.0	0	0	0	0	150	
P70	15x40	-671.05	-3318.90	11.4	7.3	100	125	20	30	150	
P71	15x40	-181.20	-3318.90	11.5	7.3	100	125	20	30	150	
P72	30x50	-3360.00	-3628.40	7.9	7.1	0	0	0	0	150	
P73	15x40	-2115.60	-3628.40	8.2	5.3	85	110	25	25	150	
P74	15x40	-1613.30	-3628.40	16.0	9.8	120	145	20	30	150	
P75	15x40	-110.95	-3628.40	10.3	5.8	85	110	25	25	150	
P76	30x50	1548.40	-3628.40	7.9	7.4	0	0	0	0	150	
P77	15x40	-2115.60	-3943.30	3.0	1.7	60	85	25	25	150	
P78	15x40	-1613.30	-3943.30	4.6	2.9	60	85	25	25	150	
P79	15x40	-110.95	-3943.30	3.1	1.7	60	85	25	25	150	
P80	15x40	671.05	-3943.30	5.5	3.4	70	95	25	25	150	
P81	15x40	1109.90	-3943.30	5.5	3.5	70	95	25	25	150	
P82	15x40	1613.30	-3943.30	5.6	3.5	70	95	25	25	150	
P83	30x50	-3360.00	-4263.90	8.5	6.3	160	180	20	40	150	
P84	30x50	-2854.10	-4263.90	10.0	4.7	0	0	0	0	150	
P85	30x50	-2419.90	-4263.90	8.9	4.0	155	175	20	40	150	
P86	30x50	-1813.30	-4263.90	8.6	5.5	0	0	0	0	150	
P87	30x50	-110.95	-4263.90	8.6	7.6	0	0	0	0	150	
P88	30x50	1548.40	-4263.90	9.0	8.2	0	0	0	0	150	
P89	30x50	1519.20	-4263.90	8.7	7.7	0	0	0	0	150	
P90	30x50	602.50	-4263.90	8.1	7.3	0	0	0	0	150	
P91	30x50	1548.40	-4263.90	8.6	7.6	0	0	0	0	150	
P92	30x50	1519.20	-4263.90	8.8	8.0	0	0	0	0	150	
P93	30x50	474.20	-4263.90	8.5	7.4	0	0	0	0	150	
P94	30x50	873.95	-4263.90	16.3	3.0	0	0	0	0	150	
P95	30x50	1548.40	-4263.90	9.4	7.2	150	170	20	40	150	
P96	15x40	1053.60	-4609.20	9.7	-3.5	0	0	0	0	150	
P97	15x40	1929.40	-4609.20	4.8	-1.1	0	0	0	0	150	
P98	15x40	-291.80	-781.75	1.7	0.4	60	85	25	25	150	

**Resumo do aço**

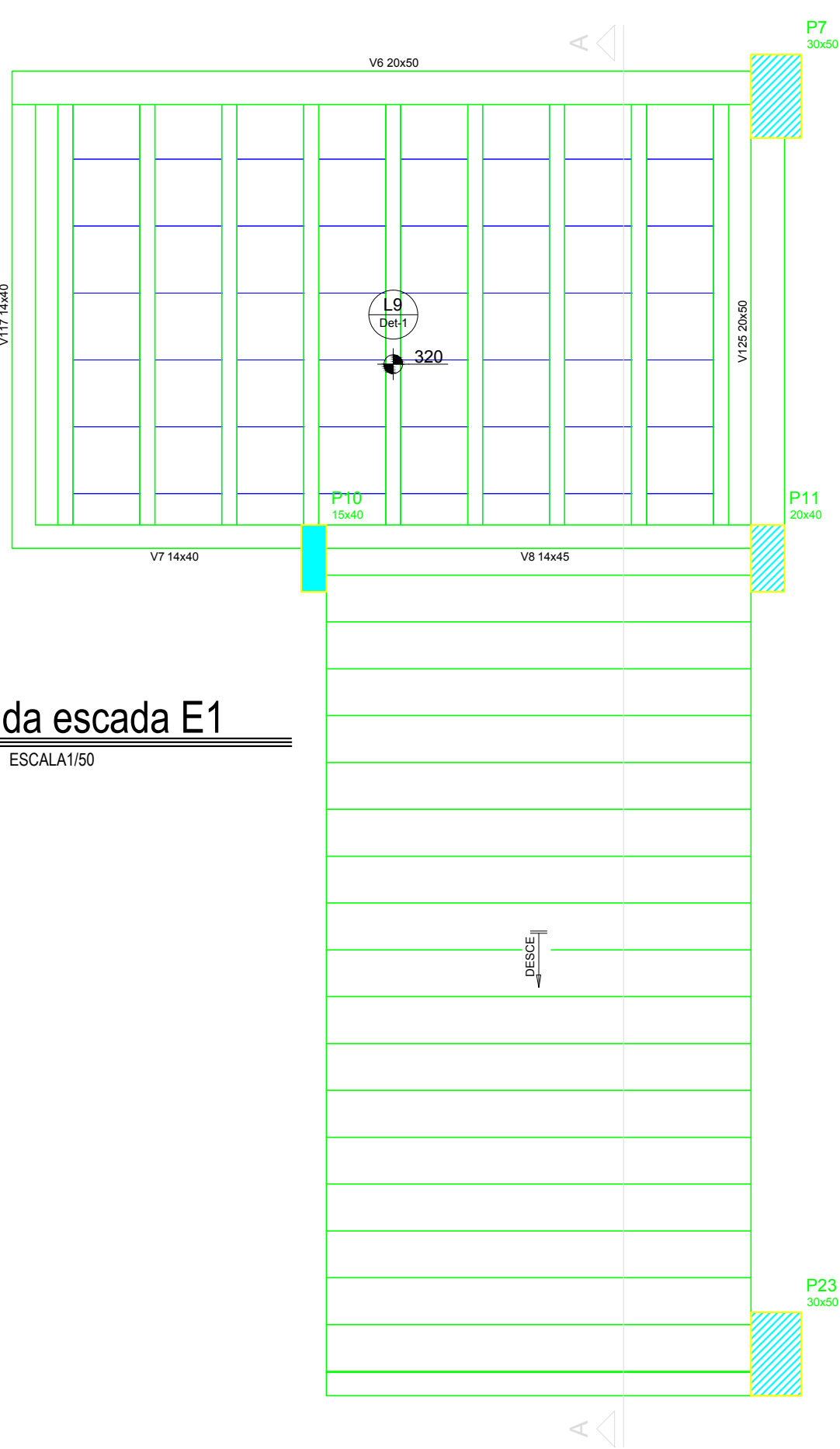
AÇO	DIAM	C.TOTAL (m)	PESO (kg)
CA50	8.0	141	55.7
	8.0	78	30.8
	12.5	194.6	187.5
<b>PESO TOTAL</b>			
CA50	252.7		

Vol. de concreto total (C-25) = 3.37 m³  
 Área de forma total = 26.48 m²



**Corte A-A (LE1)**  
 escala 1:25

**Armação positiva da escada E1**  
 TERREO ESCALA 1/50



PROJETO: MERCADO MUNICIPAL  
 ESCALA: INDICADA  
 UNIDADE: METROS  
 DATA: NOVEMBRO/2021

PREFEITO MUNICIPAL: ITONIR APARECIDO TAVARES  
 ENGENHEIRO: [Assinatura]

ASSUNTO: - DETALHE VIGAS: NÍVEL +320.  
 - DETALHE ESCADA.

PROPRIETÁRIO: PREFEITURA MUNICIPAL DE JACUNDÁ/PA (06.634.633/0001-81)  
 LOCAL: RUA SANTA ROSA, S/N, CENTRO  
 JACUNDÁ - PA  
 TAXA DE OCUP: 70,12%

TIPO DO PROJETO: ESTRUTURAL  
 PRANCHA: 08/18

